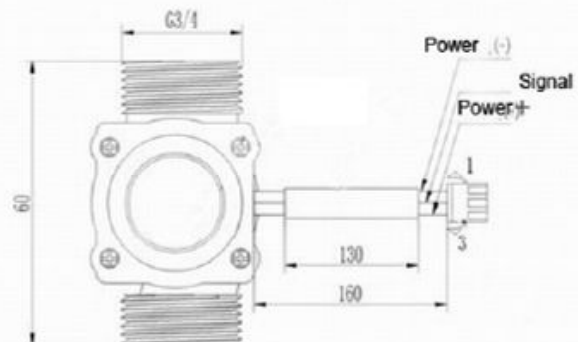
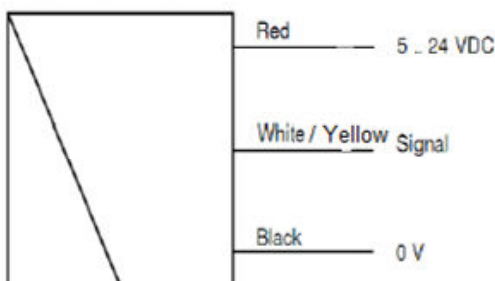




Flow meter	V2030
Working Voltage	DC4.5V--DC24V
Max pressure	<1.75 MPa
Working pressure	0 ~ 1.0 Mpa
Max rated Current	8mA
Withstand Current	15mA
Working Temperature	Below 10 °C ~ 120 °C
Store temperature	Bellow zero 25 ~ 65 °C
Flowrange	1-60L/Min
Accuracy	±3%
Output pluse Max Level	>4.5V(DC5V)
Output pluse Min Level	<0.5V(DC5V)
Output pluse occupy Room	50±10%
Inlet Pipe size	12mm
Output Pipe size	13mm
Pulse Number	270No/L
Humidity	35%--90%
Material :	PA66+30%GF



**Warning :** This Meter has low-Friction bearings .  
 Do not at any time test operation of the meter with  
 compressed air .Doning so will Subject it to rotational speeds  
 many times those for which it was designed ,and will cerainly  
 damage the rotoe ,shaft and /or bearings